

Description

Item No.: YZDWC-58

Material: Plastic

Cable Size: 5-8mm Round Cable

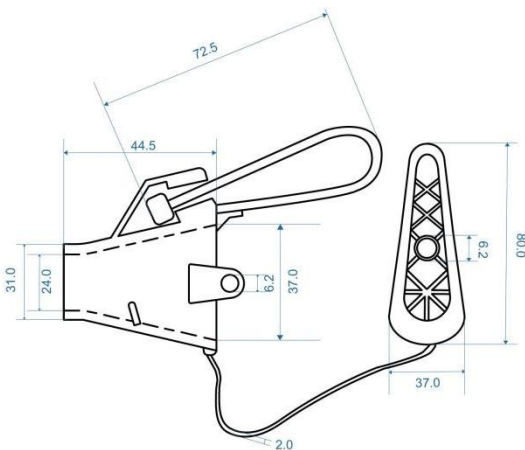
Dead-ending and suspension of flat drop wires 5/9 et 5/99. Qualified by France Telecom. Singlepiece thermoplastic drop clamp, designed with a closed conical body shape, a flat wedge connected to the body, through a flexible link ensuring its captivity and an opening bail.

Use

- Pass the free end of the plastic bail through the ring or cross-arm, lock the bail into the clamp body.
- Form a loop with the drop wire. Pass this loop through the stretched end of the clamp body. Place the clamp wedge into the loop.
- Adjust the drop wire load, sag by pulling the drop wire through the wedge of the clamp.



Application



Features

- May be re-entered and reused.
- Easy cable slack adjustment to apply proper tension.
- Weather and corrosion resistant plastic components.
- No special tools required for installation.

Description

Item No.: YZDWC-26

Material: Plastic

Cable Size: 2 to 6mm round cables

The drop wire clamp contains a mandrel shaped body and an opened bail. It can lock into the clamp body. Its main material is UV resistant nylon.

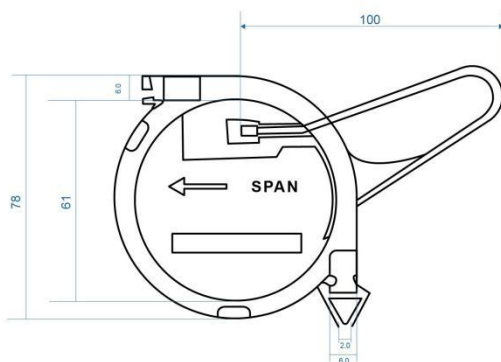
Optical drop cable clamp is a type of wire clamp. It applies to support telephone drop wire at span clamps, drive hooks and various drop attachments, and applies to round FTTH drop cable in FTTH or fiber optic to home construction. With unique design, it allows the anchoring of the cable on the end support, without any radial pressure on the cable and fiber, and provides additional protection for the FTTH cable.

Use

- keep the bail of the clamp open. The cable span end is introduced in the clamp at a point.
- The cable roll up carries out around the mandrel clockwise, until the full width of the mandrel covering. The drop cable exits the clamp through another point. The cable section after that point is free of any load, it connects to the wall or pole fitting. Or it installs the next drop clamp in case of double dead-ending.
- Adjusting the load on the span side, it's easily pushing the cable on side point, and easy pull the cable on side another point.
- The cable also installs from side point to side another point.



Application



Features

- Dead-ending of round drop cable on poles and buildings.
- Suspension of drop cable at intermediate poles by using 2 drop clamps.
- Capacity : \varnothing 2 to 6mm round cables.
- Min. failing load : 180 daN